

# Specification

—DLM-PW100

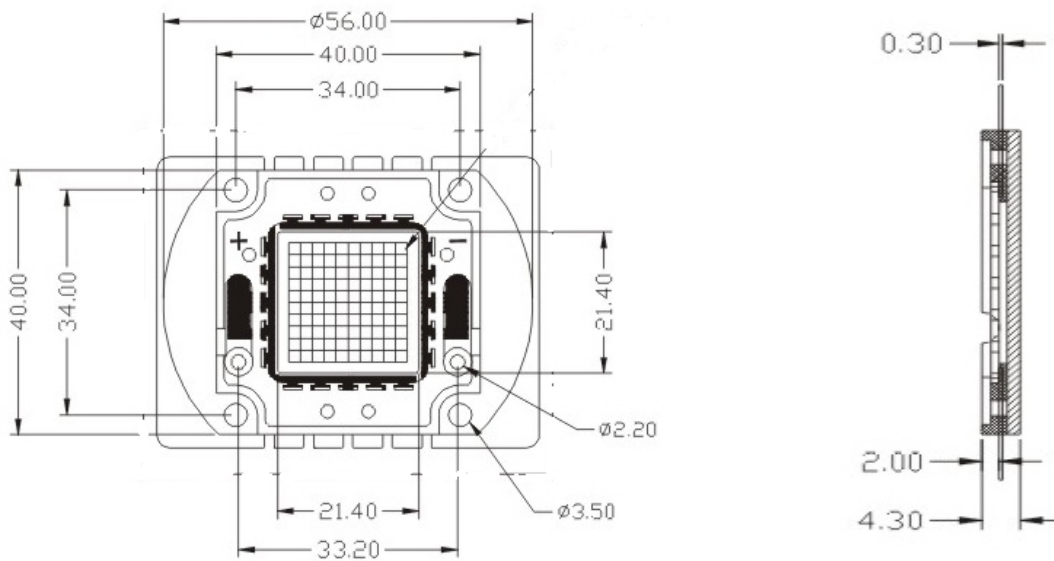
## 1 Features

- \* Super light flux output and high luminance
- \* Wide viewing angle:140°

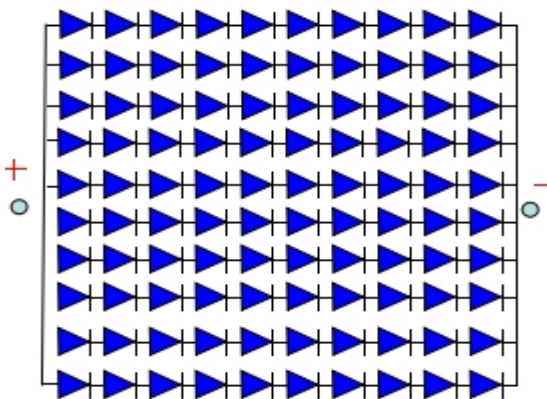
## 2 Applications

Outdoor&indoor architectural lighting,Decorative lighting

## 3 Outline Dimensions



## Circuit diagram



+ ≡

## Note

1. All dimensions are millimeter.
2. Tolerance is  $\pm 0.25\text{mm}$  unless noted

# Specification

—DLM-PW100

## 4 Absolute Maximum Ratings (Ta=25c)

No.	参数	符号	数值	单位
1	Power Dissipation	$P_D$	100	W
2	Forward Current	$I_F$	3000	mA
3	Peak pulse Current	$I_{FP}$	3000	mA
4	Reverse Voltage	$V_R$	50	V
5	Junction Temperature	$T_J$	120	°C
6	Operating temperature	$T_{opr}$	-30 ~ +60	°C
7	Storage temperature	$T_{stg}$	-40 ~ +85	°C

## 5 Electrical and optical characteristics (Ta=25°C)

No.	Parameter	Symbol	Test condition	Min	typ	max	unit
1	Forward Voltage	$V_F$	I f=3000mA	30	31	33	V
2	Luminous Flux	$\Phi_V$	I f=3000mA	5500	—	9000	Lm
3	Color Temperature	CCT	I f=3000mA	5000	—	8000	K
4	Viewing Angle	$2\theta \frac{1}{2}$	I f=3000mA	—	140	—	Deg

## 6 Flux&Color Binging

Luminous Flux Bins (Ta=25C)

unit: lm

Bin	X0	U0	V0	W0	X0
Min	5500	6000	6500	7000	8000
Max	6000	6500	7000	8000	9000

# Specification

—DLM-PW100

**CCT Bins** (Ta=25C)

**unit: K**

<b>Bin</b>	<b>W6</b>	<b>W7</b>	<b>W8</b>	<b>W9</b>
Min	5000	5600	6300	7000
Max	5600	6300	7000	8000

Note:

- 1 . Flux is measured with an accuracy of  $\pm 15\%$
2. CCT is measured with an accuracy of  $\pm 200\text{K}$
- 3 . Forward voltage is measured with an accuracy of  $\pm 0.15\text{K}$