

Specification

—DLM-PW30

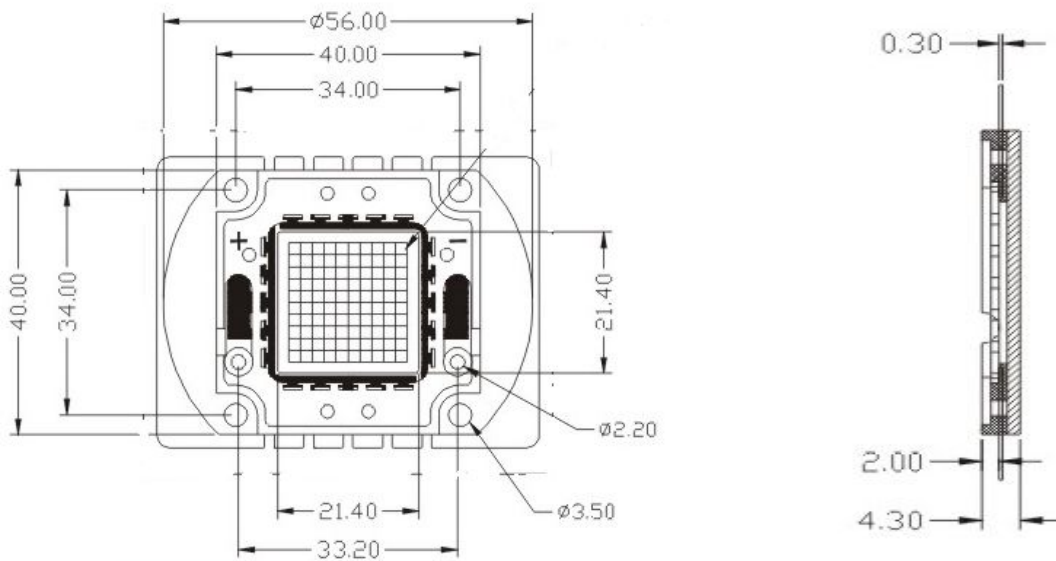
1 Features

- * Super light flux output and high luminance
- * Wide viewing angle:140°

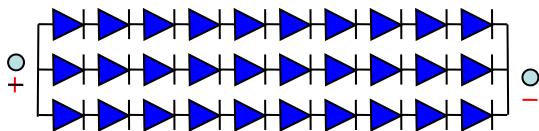
2 Applications

Outdoor&indoor architectural lighting,Decorative lighting

3 Outline Dimensions



Circuit diagram



Note:

1. All dimensions are millimeter.
2. Tolerance is $\pm 0.25\text{mm}$ unless noted

Specification

—DLM-PW30

4 Absolute Maximum Ratings (Ta=25c)

No.	参数	符号	数值	单位
1	Power Dissipation	P_D	50	W
2	Forward Current	I_F	1050	mA
3	Peak pulse Current	I_{FP}	1050	mA
4	Reverse Voltage	V_R	50	V
5	Junction Temperature	T_J	120	°C
6	Operating temperature	T_{opr}	-30 ~ +60	°C
7	Storage temperature	T_{stg}	-40 ~ +85	°C

5 Electrical and optical characteristics (Ta=25°C)

No.	Parameter	Sym bol	Test condition	Min	typ	max	unit
1	Forward Voltage	V_F	$I_f=1050mA$	30	31	33	V
2	Luminous Flux	Φ_V	$I_f=1050mA$	2200	—	3500	Lm
3	Color Temperature	CCT	$I_f=1050mA$	5000	—	8000	K
4	Viewing Angle	$2\theta_{1/2}$	$I_f=1050mA$	—	140	—	Deg

Specification

—DLM-PW30

6 Flux&Color Binging

Luminous Flux Bins (Ta=25C)

unit: lm

Bin	Q0	R0	S0
Min	2200	2500	3000
Max	2500	3000	3500

CCT Bins (Ta=25C)

unit: K

Bin	W6	W7	W8	W9
Min	5000	5600	6300	7000
Max	5600	6300	7000	8000

Note:

- 1 . Flux is measured with an accuracy of $\pm 15\%$
- 2 . CCT is measured with an accuracy of $\pm 200\text{K}$
- 3 . Forward voltage is measured with an accuracy of $\pm 0.15\text{K}$