

# Specification

—DLM-PW80

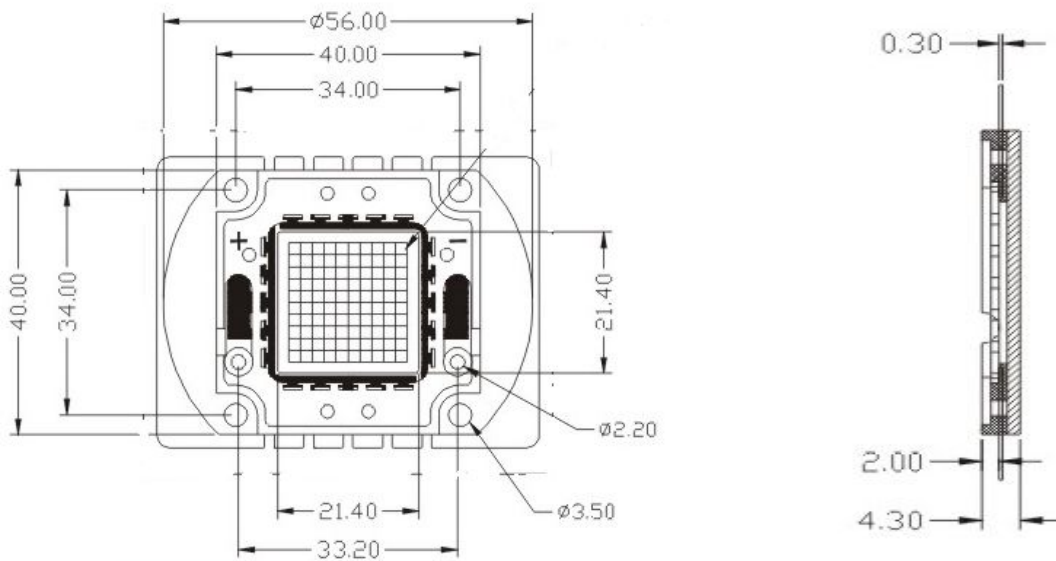
## 1 Features

- \* Super light flux output and high luminance
- \* Wide viewing angle:140°

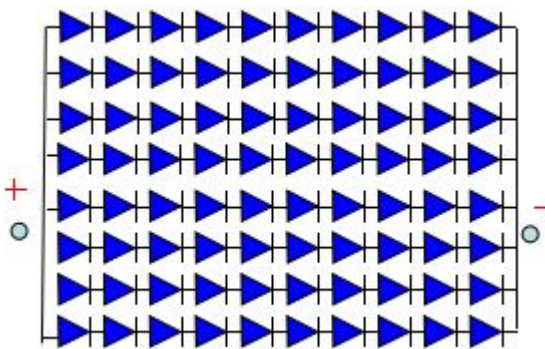
## 2 Applications

Outdoor&indoor architectural lighting,Decorative lighting

## 3 Outline Dimensions



## Circuit diagram



+ ≡

## Note

1. All dimensions are millimeter.
2. Tolerance is  $\pm 0.25\text{mm}$  unless noted

# Specification

—DLM-PW80

## 4 Absolute Maximum Ratings (Ta=25c)

No.	参数	符号	数值	单位
1	Power Dissipation	P <sub>D</sub>	100	W
2	Forward Current	I <sub>F</sub>	2400	mA
3	Peak pulse Current	I <sub>FP</sub>	2400	mA
4	Reverse Voltage	V <sub>R</sub>	50	V
5	Junction Temperature	T <sub>J</sub>	120	°C
6	Operating temperature	T <sub>opr</sub>	-30 ~ +60	°C
7	Storage temperature	T <sub>stg</sub>	-40 ~ +85	°C

## 5 Electrical and optical characteristics (Ta=25°C)

No.	Parameter	Sym bol	Test condition	Min	typ	max	unit
1	Forward Voltage	V <sub>F</sub>	I <sub>f</sub> =2400mA	30	31	33	V
2	Luminous Flux	Φ <sub>v</sub>	I <sub>f</sub> =2400mA	5500	—	7500	Lm
3	Color Temperature	CCT	I <sub>f</sub> =2400mA	5000	—	8000	K
4	Viewing Angle	2θ 1/2	I <sub>f</sub> =2400mA	—	140	—	Deg

## 6 Flux&Color Binging

**Luminous Flux Bins** (Ta=25C)

**unit:** lm

Bin	X0	U0	V0	W0	X0
Min	5500	6000	6500	7000	8000
Max	6000	6500	7000	8000	9000

**CCT Bins** (Ta=25C)

**unit:** K

# Specification

—DLM-PW80

---

<b>Bin</b>	<b>W6</b>	<b>W7</b>	<b>W8</b>	<b>W9</b>
Min	5000	5600	6300	7000
Max	5600	6300	7000	8000

Note:

- 1 . Flux is measured with an accuracy of  $\pm 15\%$
- 2 . CCT is measured with an accuracy of  $\pm 200\text{K}$
- 3 . Forward voltage is measured with an accuracy of  $\pm 0.15\text{K}$